

# Gas Discharge Tube: G30D12 Series



## 2-Electrode $\Phi$ 30 x T12mm High Surge Type

### ■ Features

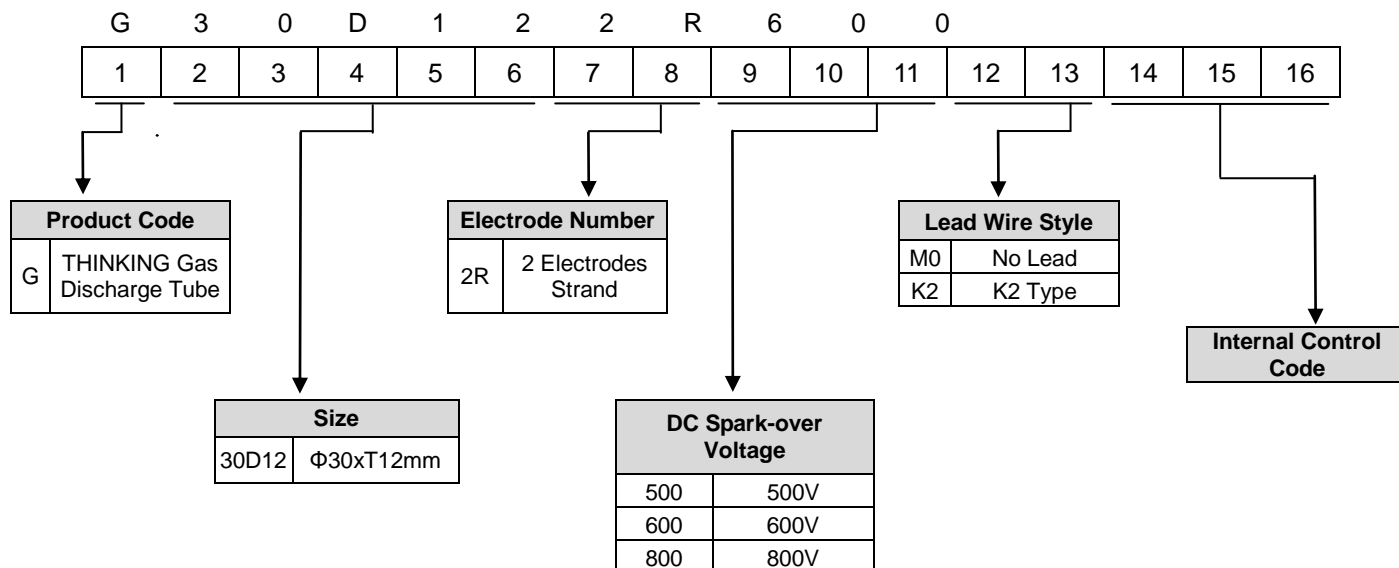
1. RoHS & HF compliant
2. Rugged ceramic-metal construction
3. DC spark-over voltage: 500~800V
4. Follow current at 50/60Hz: 100A
5. Max continuous operating voltage at 50/60Hz: 255V
6. Agency recognition: UL
7. Operating temperature:  $-40^{\circ}\text{C} \sim +105^{\circ}\text{C}$   
Storage temperature:  $-40^{\circ}\text{C} \sim +115^{\circ}\text{C}$



### ■ Recommended Applications

1. Power system
2. Industrial equipment
3. SPD module

### ■ Part Number Code



# Gas Discharge Tube: G30D12 Series



## 2-Electrode $\Phi 30$ x T12mm High Surge Type

### Characteristics

| Part No.      | DC Spark-over Voltage | Max. Impulse Discharge Current (10/350 $\mu$ s) | Max. Impulse Discharge Current (8/20 $\mu$ s) |          | Impulse Discharge Current (10/350 $\mu$ s & 8/20 $\mu$ s) | Max. Front-of-wave Sparkover Voltage | Follow Current | Max Continuous Operating Voltage | Maximum Capacitance | Minimum Insulation Resistance | Maximum Breakdown Time | Safety Approvals |
|---------------|-----------------------|---|---|----------|---|--------------------------------------|----------------|----------------------------------|---------------------|-------------------------------|------------------------|------------------|
|               | 100V/S                | 1 time  | 1 time  | 10 times |   | 1.2/50 $\mu$ s 6KV                   | 50/60Hz        | 50/60Hz                          | (1MHz)              | (G $\Omega$ )                 | (ns)                   | UL 1449          |
|               | (V)                   | (KA)  | (KA)  |          |   | (KV)                                 | (V)            | (A)                              | (V)                 | (pF)                          |                        |                  |
| G30D122R500□□ | 400-600               | 40  | 160   | 100      | 6   | 1300                                 | 100            | 255                              | 10                  | 1                             | 100                    | √                |
| G30D122R600□□ | 480-720               |   |   |          |   | 1400                                 | 100            | 255                              |                     |                               |                        | √                |
| G30D122R800□□ | 640-940               |   |   |          |   | 1500                                 | 100            | 255                              |                     |                               |                        | √                |

Note 1: The □□ is style of lead wire.

Note 2: UL 1449 4th File No: E314979.

Note 3: Insulation resistance test conditions:

| DC Spark-over Voltage | DC Measuring Voltage |
|-----------------------|----------------------|
| 500-800V              | 250V                 |

### Dimension

(Unit: mm)

Figure 1

M0 : No Lead

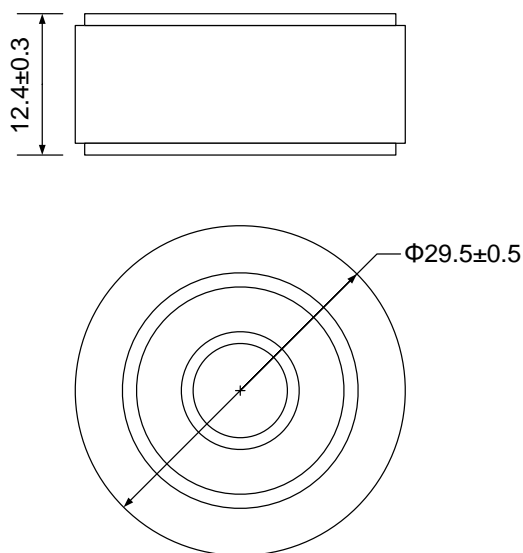
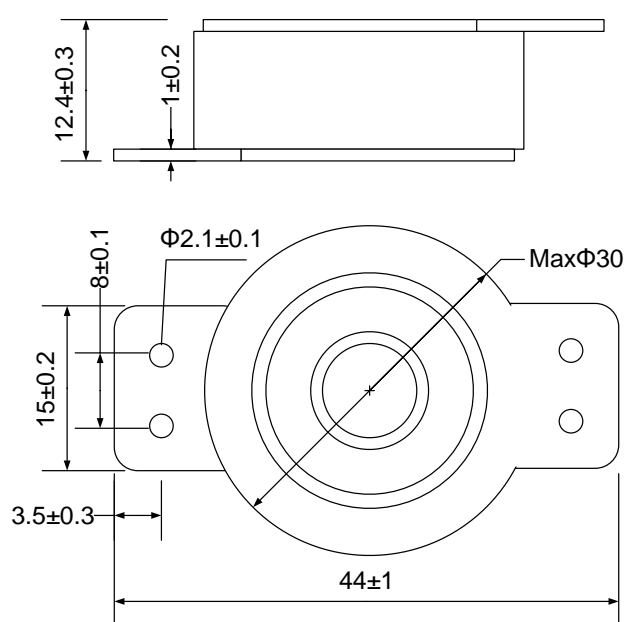


Figure 2

K2 : K2 Type

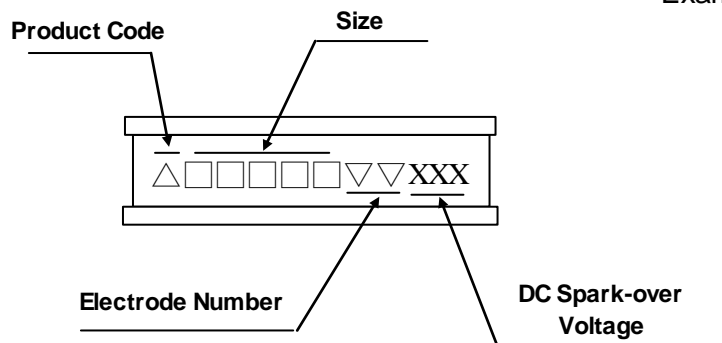


# Gas Discharge Tube: G30D12 Series

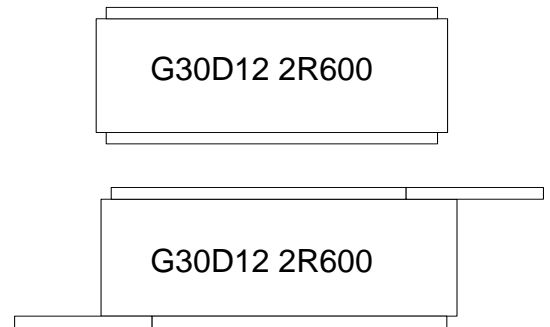
## 2-Electrode $\Phi 30$ x T12mm High Surge Type



### ■ Marking



Example



### ■ Packaging

- Bulk

### ■ Warehouse Storage Conditions of Products

- Storage Conditions:
  1. Storage Temperature:  $-10^{\circ}\text{C} \sim +40^{\circ}\text{C}$
  2. Relative Humidity:  $\leq 75\% \text{RH}$
  3. Keep away from corrosive atmosphere and sunlight.
- Period of Storage: 1 year